

Fire protection housing

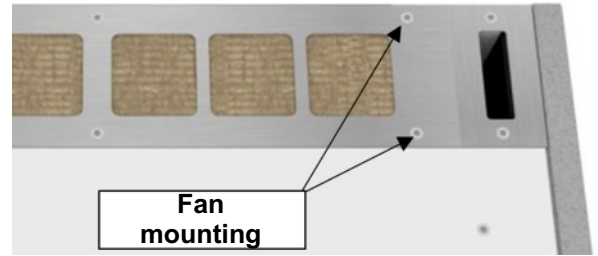


This quick guide does not release the user/installer from the obligation to comply with all details and specifications of the usability certificates and to read and observe the complete installation and operating instructions for the fire protection housing.

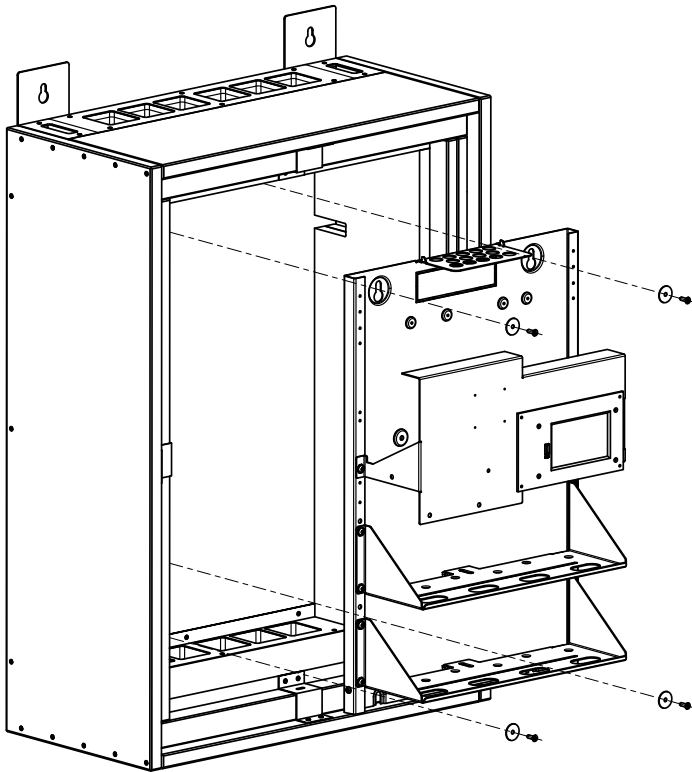


1 Fan installation

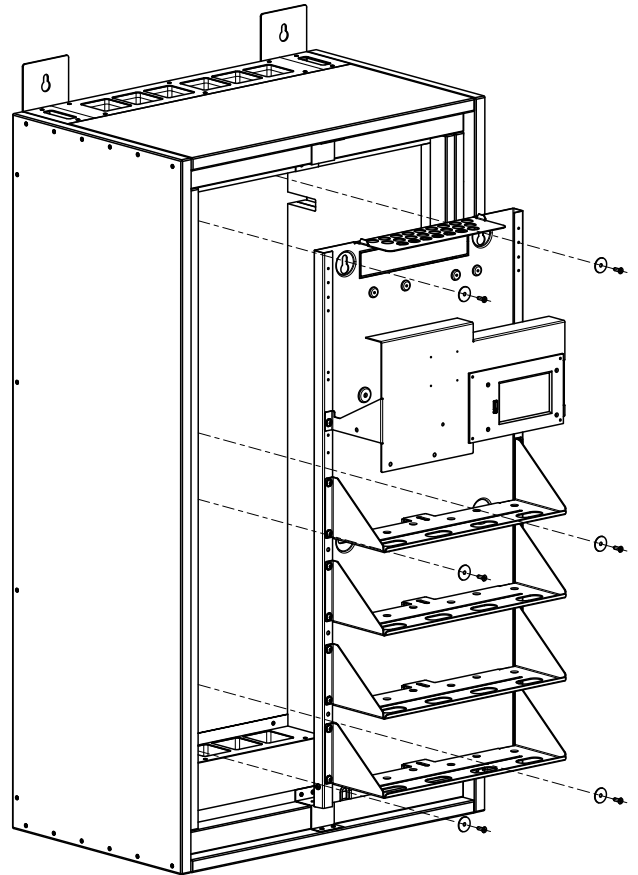
Use the screws provided to mount the fan and install the LPS II.



2 Mounting LPS II Version S



Mounting LPS II Version M



3 Connecting fan to LPS II

